

MVP-METALL, 8XM12, 5POLE, M23 19POL. CON.

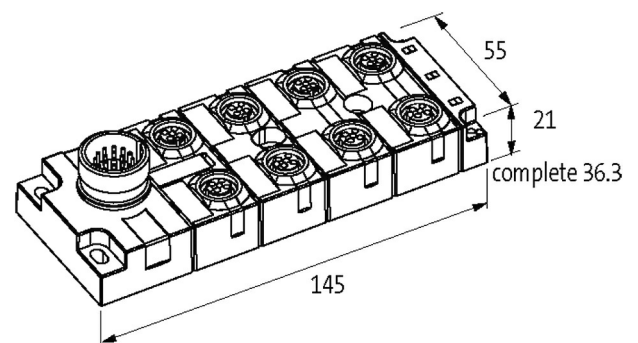
Connector exit st the top

8-way, 5-pole, DIAGNOSTIC

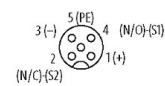
M23 plug connection

19-pole used

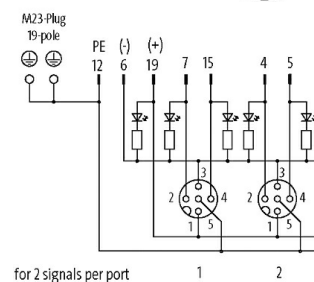
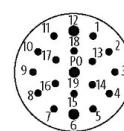
Operating current: 2 A per M12 (female)

Illustration

M12-Females 5-pole



M23-Plug 19-pole



for 2 signals per port

Product may differ from Image

Contact Layout

PIN 1	(+)
PIN 2	Port 1...7: (NO)/(S2); Port 8: diagnostic
PIN 3	(-)
PIN 4	(NO)/(S1)
PIN 5	(Earth)

LED display LED (green): Power / LED (yellow): (S1/S2) / LED (red): Failure

General data

Temperature range	-20...+60 °C
Dimensions H×W×D	145×55×21 mm

Technical Data

Operating current (contact 3)	max. 2 A (shutoff 2.3...2.7 A)
Operating voltage	24 V DC (EN 61131-2)
Current consumption	max. 35 mA
Total current	max. 10 A
Inrush capacity	max. 1470 µF
Diagnostic output	active high, max. load 25 mA, M23 - PIN 18
Unit protection	Short-circuit, overload (PNP switching)
Required power supply with max. ports	min. 20 A
Locking of ports	Screw thread (M12×1 mm)
Protection	IP65, IP67, IP68 inserted and tightened (EN 60529)
Housing	Zinc die casting, matte nickel plated

Description

Functional description	All M12 ports are current monitored regarding 0 V total current (contact 3), and are switched off in case of overload or short-circuit (self-resetting). Operating voltage remains the same. In case of a fault the DIAGNOSTIC signal "active high" to the PLC
------------------------	--

Commercial data

country of origin	CZ
customs tariff number	85369010
EAN	4048879063531
eClass	27279219
Packaging unit	1